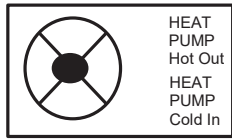


How to Water circuit installation

GS4-45HPC & GS4-45HPC-D HEAT PUMP



Notes :

GS4 Heat Pump Isolation Valves shown in typical positions adjacent to the GS4 unit
 Union type connections and Isolation valves recommended for ease of installation and service

Condensate drain line from base of Heat Pump not shown, pipe to drain or other location in accordance with local codes

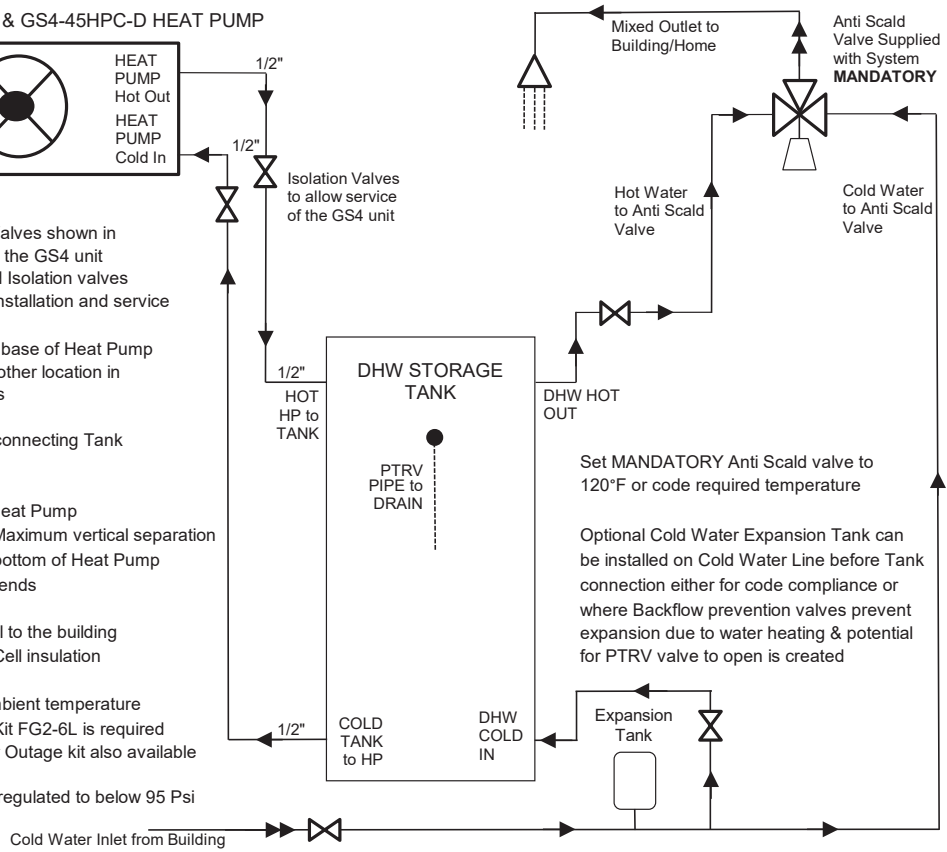
Tank Temperature sensor connecting Tank to Heat Pump not shown

Piping between Tank and Heat Pump
 66ft Maximum length, 23ft Maximum vertical separation
 To/from bottom of Tank to bottom of Heat Pump
 No more than 6 x Elbows/Bends

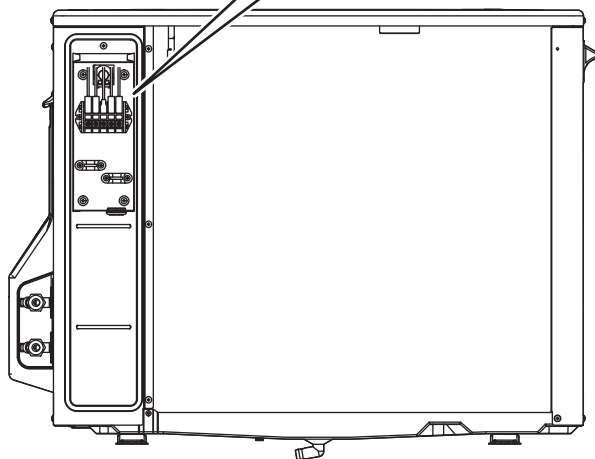
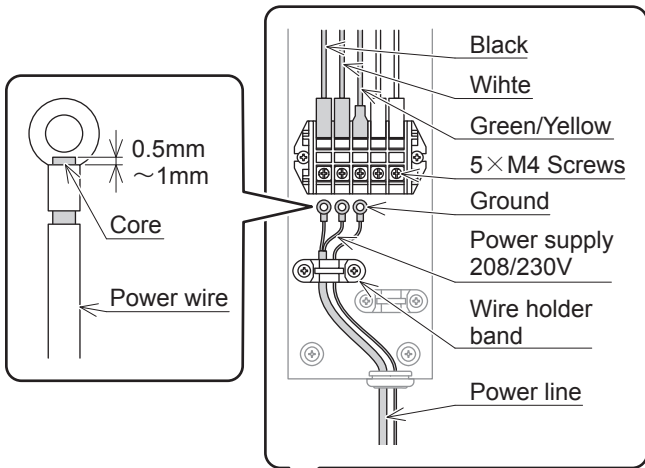
Insulate ALL piping external to the building with minimum 3/4" Closed Cell insulation

Check coldest expected ambient temperature to determine if Trace Heat Kit FG2-6L is required
 ECO-FPVKT-SMTW Power Outage kit also available

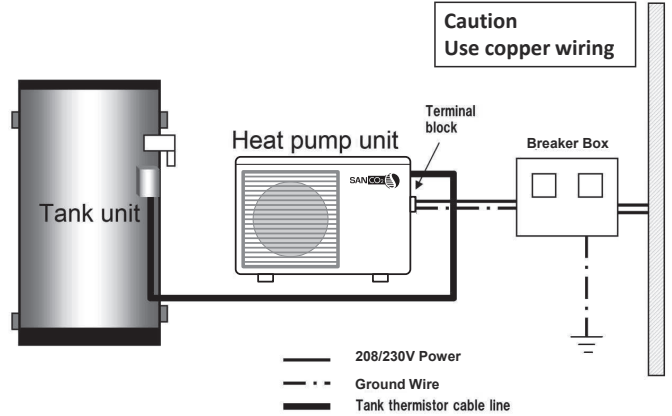
Cold Water Inlet should be regulated to below 95 Psi



Electrical wire connection



Power connection



Frozen protection

