



SUBMITTAL : ECO-505GLNST

505 Gallon Storage Tank



Job Name	Location		
Purchaser	Engineer		
Submitted to	Reference <input type="checkbox"/>	Approval <input type="checkbox"/>	Construction <input type="checkbox"/>
Unit Designation	Schedule #		

Specifications	GS4-45HPC &-D
Performance	
Capacity per Heat Pump	4.5kw or 15,400 Btu/h
Recovery per HP @ 90°F Rise	20.5 Gallons per Hour
Storage Tank	ECO-505GLNST
Tank Volume Actual/Nominal	505 / 558 Gallons
Pressure Relief Valve (Psig & °F)	125 Psig
Temperature Sensor	Thermistor
Installed Tank Weight (lbs)	874lbs
Shipping Tank Weight (lbs)	1350lbs
Anodes	3 x Magnesium
Tank Connection Sizes	
Cold Water Inlet	3" NPT
Hot Water Outlet	3" NPT
Cold Water to Heat Pump	1 1/2" NPT
Hot Water Return from HP	1 1/2" NPT
Pipe Size - Tank to Heat Pump	
Cold Water pipe - Tank to HP	As designed
Hot Water pipe - HP to Tank	As designed
Max Pipe Length inc	66ft
Max Vertical Separation of	23ft
Approvals	
Tank	ASME
Warranty	
Tank	5 Years

Construction

The tank shall be manufactured from carbon steel with a baked on Ultonium porcelain enamel lining
 Tank outer shell shall be covered with a spray on foam insulation with an acrylic top coat to allow both interior and exterior installation
 Tank shall have ECO2 stenciled on the Insulation top coat

Insulation

A minimum of 2 1/4" of R7.5 insulation shall be sprayed on to the tank to reduce heat loss and comply with California Title 24 requirements

Connections

Connections to the Hot and Cold building supplies shall be 3" NPT Female type
 Connection to Cold supply from the tank to the Heat Pump shall be 1 1/2" NPT male type
 Connection to Hot return from the Heat Pump to the tank shall be 1 1/2" NPT female type

Controls

The tank shall be supplied with a Temperature sensor well for field installation so that Tank Temperature sensors are able to be inserted
 Each Heat Pump connected to the Storage Tank shall require a 91101-45190 temperature sensor to be field installed in the Sensor well and wired directly to the Heat Pump
 If the ECO-MSCTRL-BMS Multi Unit Controller shall be used it shall be supplied with a Tank Temperature sensor and Tank Cold Water to Heat Pump(s) sensor
 All sensors shall be field installed with the ECO-505GLNST

Pressure and Temperature Relief

Tank shall be supplied with a field installed, ASME approved Pressure relief valve
 Valve Setting shall be at 125 Psig
 Relief Valve shall be piped to a suitable location in case of discharge



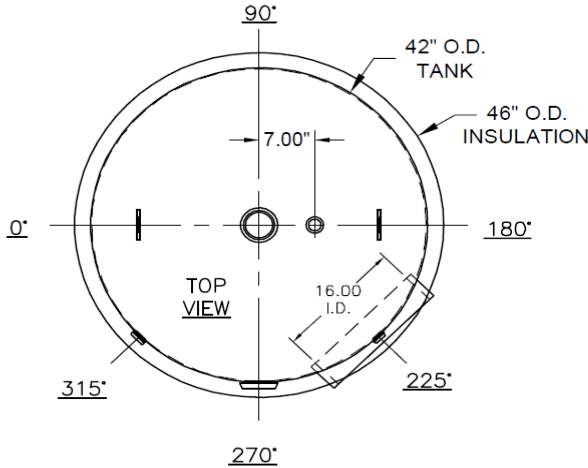
SUBMITTAL : ECO-505GLNST

505 Gallon Storage Tank



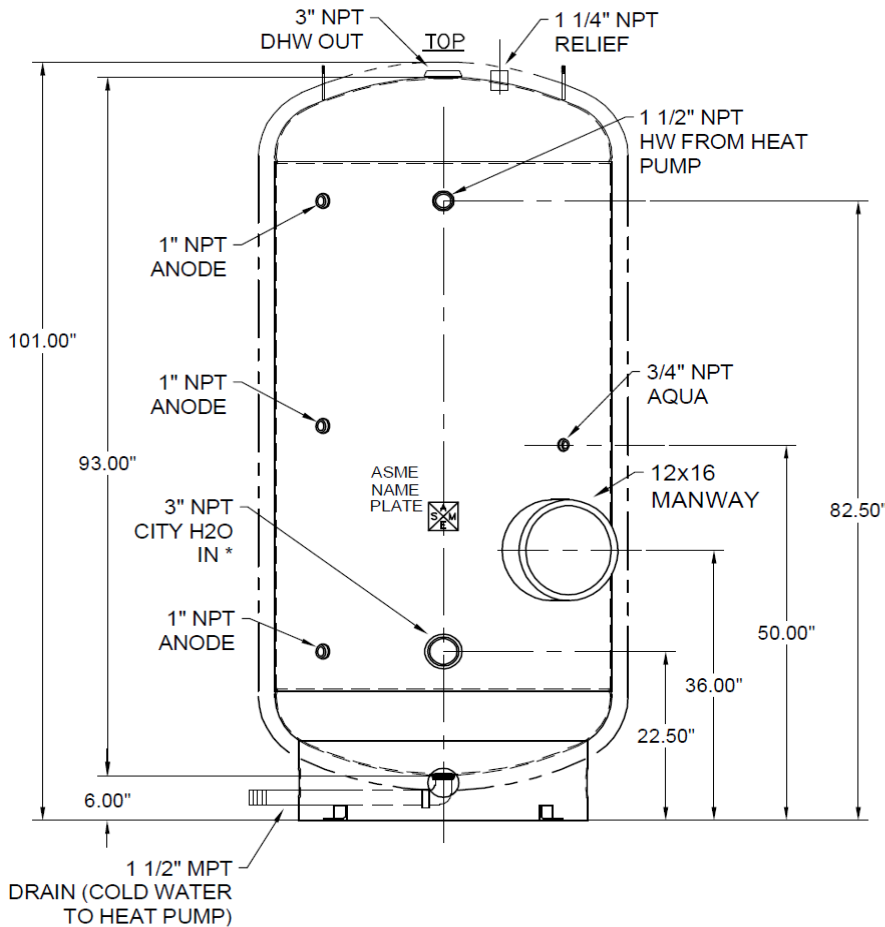
Job Name	Location			
Purchaser	Engineer			
Submitted to	Reference <input type="checkbox"/>	Approval <input type="checkbox"/>	Construction <input type="checkbox"/>	
Unit Designation	Schedule #			

Storage Tank Dimensions



CONSTRUCTION:

- MATERIAL - CARBON STEEL
- INTERIOR LINING - PORCELAIN ENAMEL
- EXTERIOR - PRIME PAINTED W/ 2" THK INSULATION & ACRYLIC TOP COAT
- SACRIFICIAL ANODES - MAGNESIUM
- M.A.W.P. - 125 PSI
- MAX. OPERATING TEMP. - 180°F



* INCLUDES DOWNWARD DEFLECTOR-SPARGE A TRON

ECO2 SYSTEMS PART#
ECO-505GLNST

REV. B: ADDED NOTE TO DRAIN. CHANGED

Eco2 Systems LLC

PO Box 1358, Walled Lake MI 48390, Tel : 1-844 SAND CO2 (1-844 726 3262)

www.eco2waterheater.com

Due to Eco2 Systems LLC's policy of on-going product development specifications are subject to change without notice

SUB-ECO2-ECO505-062023

© Eco2Systems LLC 2023