



# SUBMITTAL : ECO-FPVKT-SMTW

## Freeze Protection Valve Kit



Job Name	Location			
Purchaser	Engineer			
Submitted to	Reference <input type="checkbox"/>	Approval <input type="checkbox"/>	Construction <input type="checkbox"/>	<input type="checkbox"/>
Unit Designation	Schedule #			

ECO-FPVKT-SMTW	
<b>Performance</b>	
Valve Fully Open Temperature	34°F
Valve Fully Closed Temperature	39°F
Valve CV	0.57
Nom Flow @ 50Psi Water Pressure with valve fully open	4.0 GPM
<b>Physical Data</b>	
Barrel material	Brass
Threaded Connection - Valves	3/4" Male NPT
Threaded Connection - Tees	3/4" NPT x 1/2" x 1/2"
Location	Outdoor or Indoor
Weight per Valve	5oz
Weight per Tee	4oz

### Construction

Valves shall be constructed from a Brass body with a combination of Brass and Stainless Steel internal components

Valve shall be suitable for Exterior Installation

### Sensing

A fast actuating thermal element shall be used in each valve.

When the water temperature in the 1/2" Supply/Return piping to the GS4 Heat Pump falls below 34°F the valve opens to prevent the water from freezing.

As the water temperature increases the valve will begin to close until it is fully closed when the water temperature is 39°F

### Installation

Supplied kit shall consist of 2 Valves, one valve will be installed on the 1/2" Cold Water Inlet piping & one valve on the 1/2" Hot Water Supply piping to and from the GS4 unit and the Storage Tank or Piping Manifold

2 Lead Free Tees 3/4" x 1/2" x 1/2" shall be supplied together with the 2 Valves

Each Tee shall have a 3/4" Threaded connection to secure the FPV Valve to and 2 x 1/2" sweat connections to allow the Tee to be connected to the Copper or PEX Cold & Hot Water Piping to the GS4 Heat Pump

The valves should be installed so that they are both in a vertical down position to the piping or upwards up to a maximum diagonal angle of 45° to the Cold and Hot Water piping to the GS4 unit

Care shall be taken to ensure drained water from the valve shall not cause a slip/fall hazard

### Application

Valve kit shall be utilized to provide power outage freeze protection for the GS4 Heat Pump unit(s) installed at the home or building



ECO2 Systems LLC, PO Box 1358, Walled Lake MI 48390, Tel : 1-844 726 3262

[www.eco2waterheater.com](http://www.eco2waterheater.com)

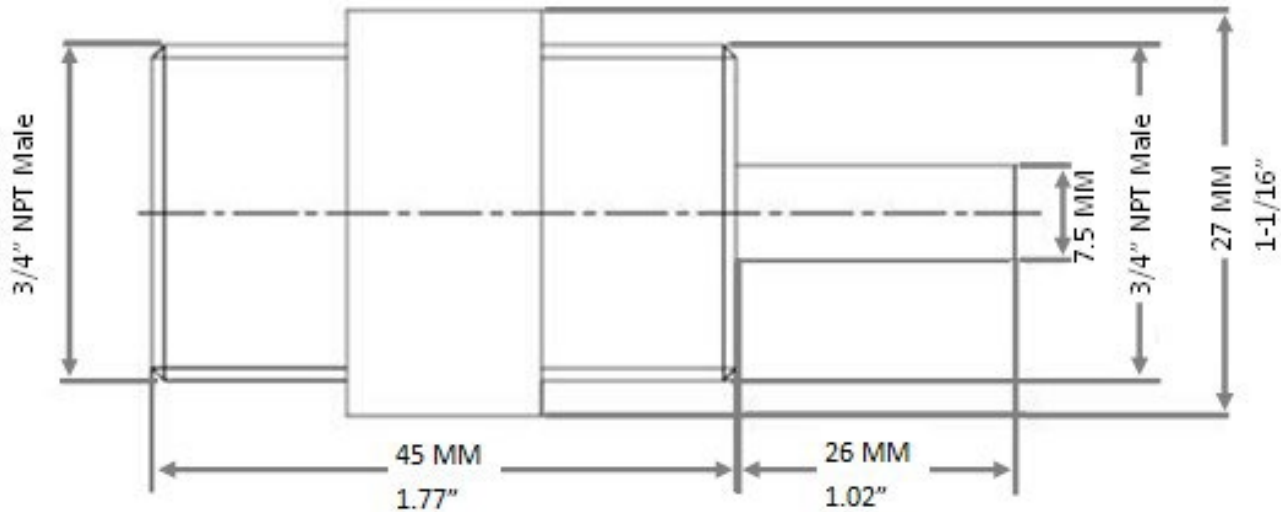


# SUBMITTAL : ECO-FPVKT-SMTW Freeze Protection Valve Kit

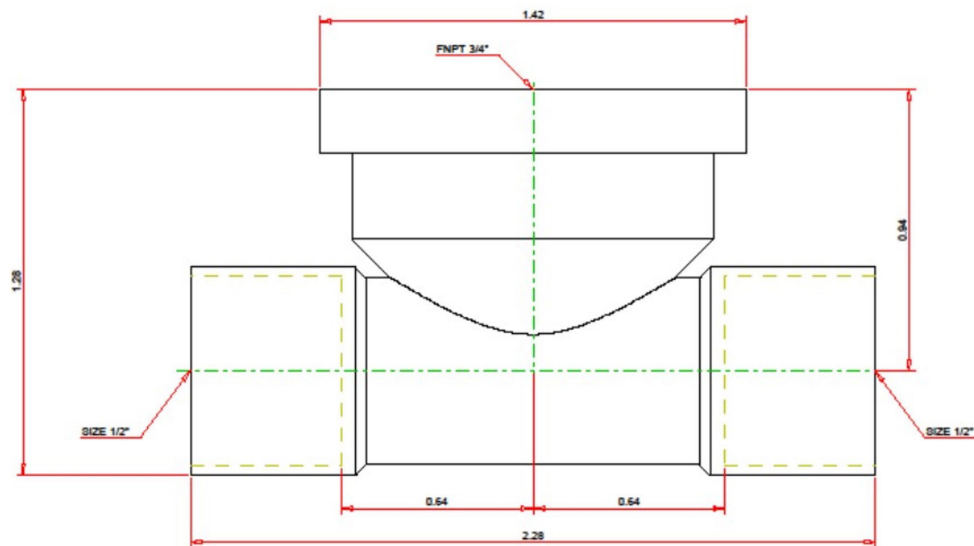


Job Name	Location
Purchaser	Engineer
Submitted to	Reference <input type="checkbox"/> Approval <input type="checkbox"/> Construction <input type="checkbox"/>
Unit Designation	Schedule #

## ECO-FPVKT-SMTW Valve Dimensions



## ECO-FPVKT-SMTW Piping Tee Dimensions



ECO2 Systems LLC, PO Box 1358, Walled Lake MI 48390, Tel : 1-844 726 3262

[www.eco2waterheater.com](http://www.eco2waterheater.com)

Due to Eco2 Systems LLC's policy of on-going product development specifications are subject to change without notice

SUB-ECO2-FPVSMW-072022

© 2022 Eco2 Systems LLC